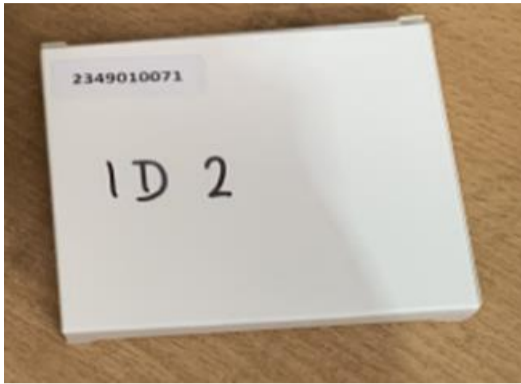


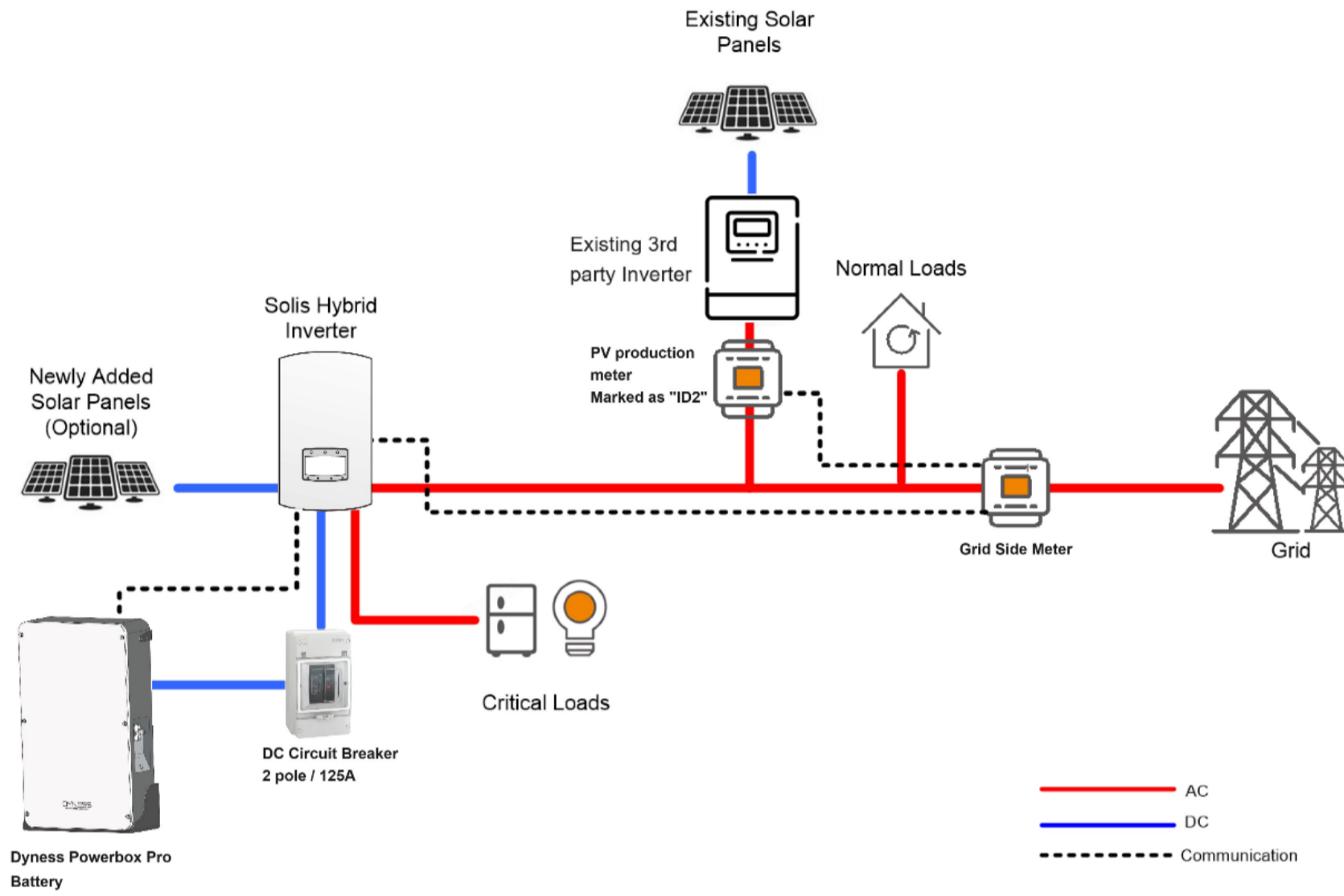
Step by Step installation guide: S5-EH1P5K + Dyness AC couple Application at single phase site

Item checklist:

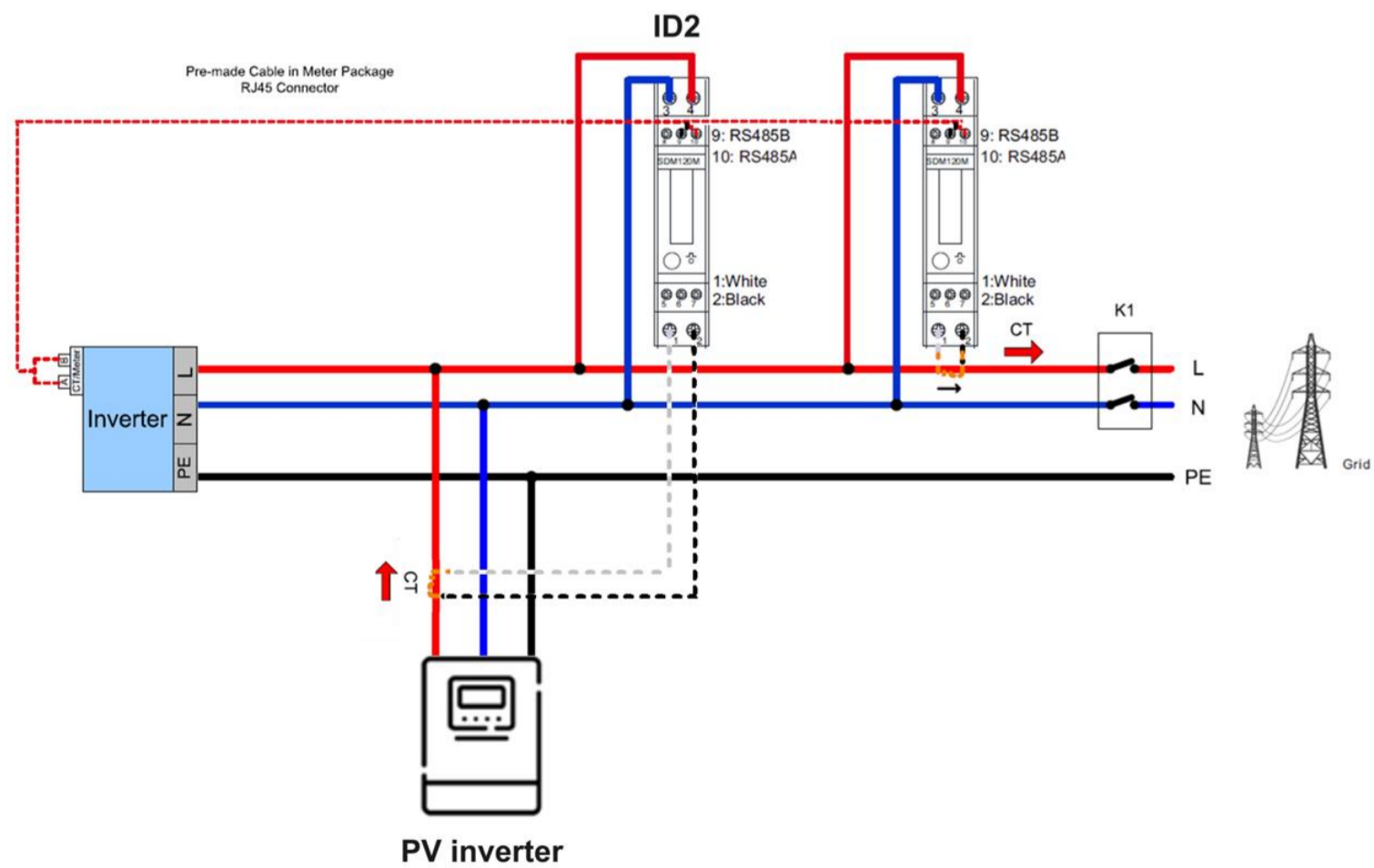
- 1 x S5 hybrid inverter
- 1 x battery
- 1 x eastron meter SDM120CT Marked as ID 2



Wiring diagram

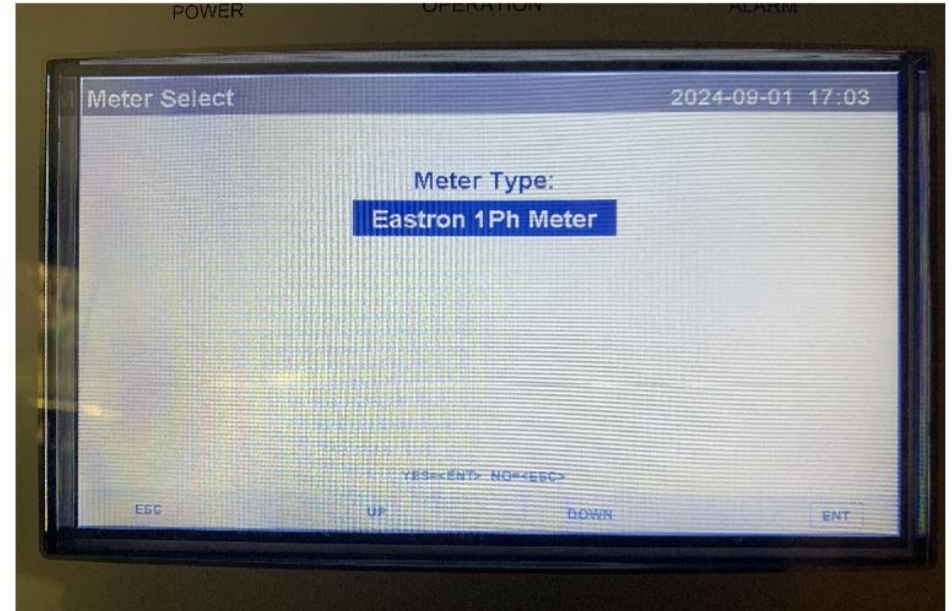
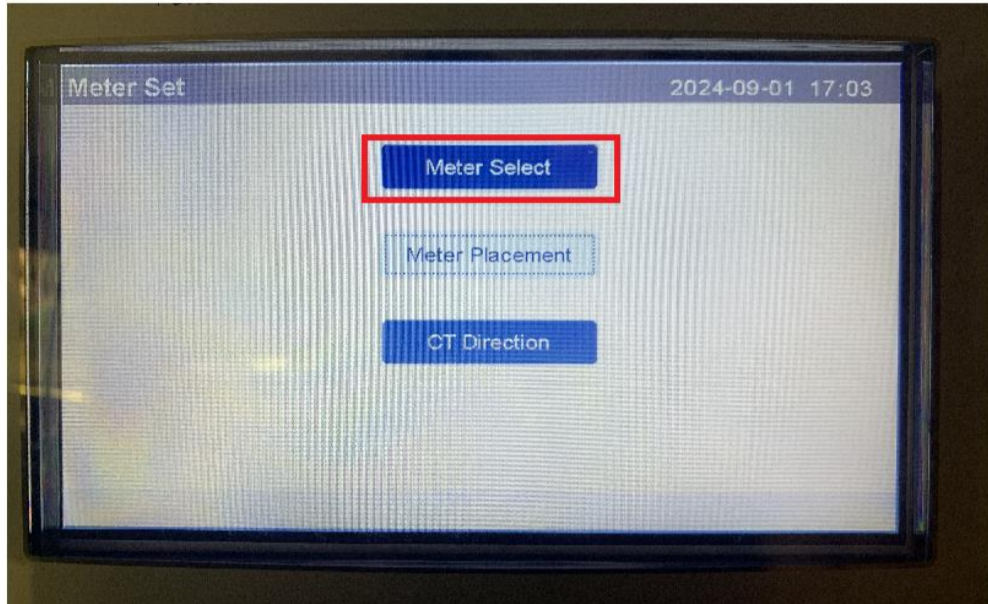
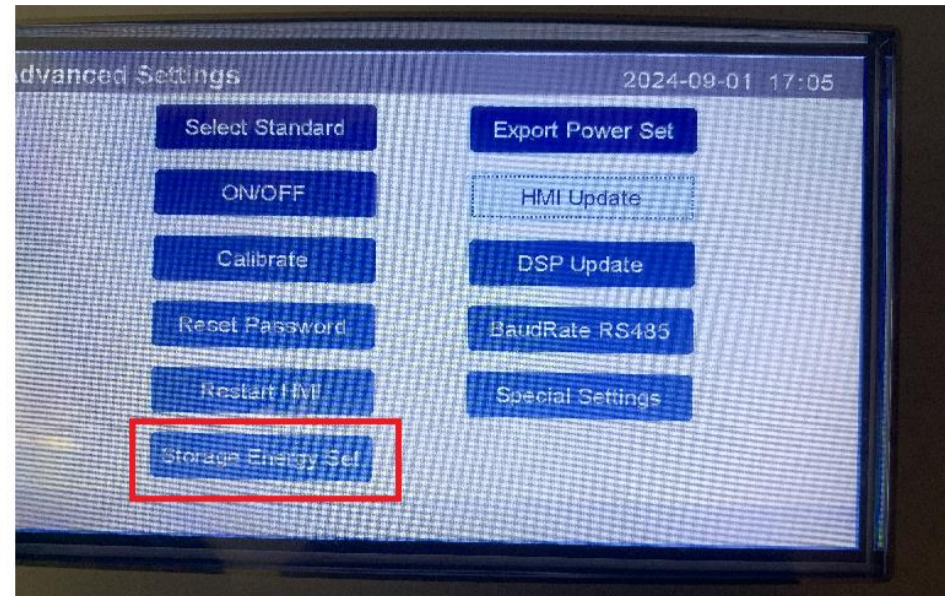
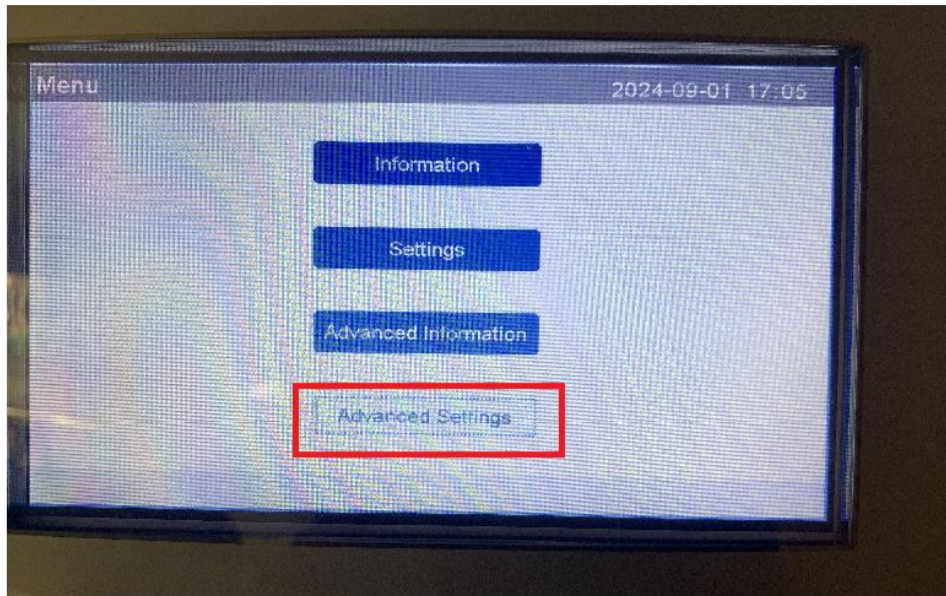


Wiring for single phase site



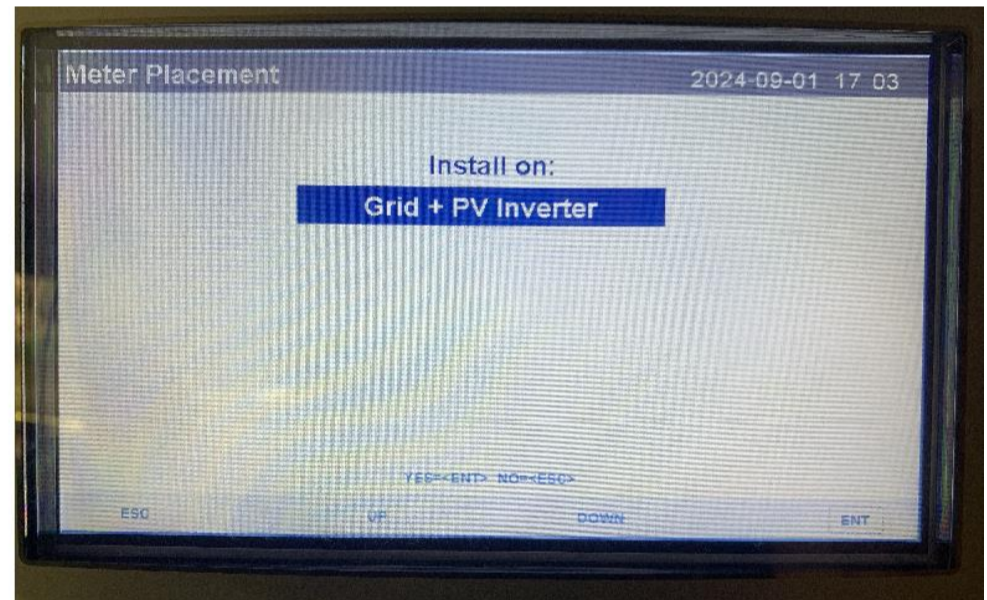
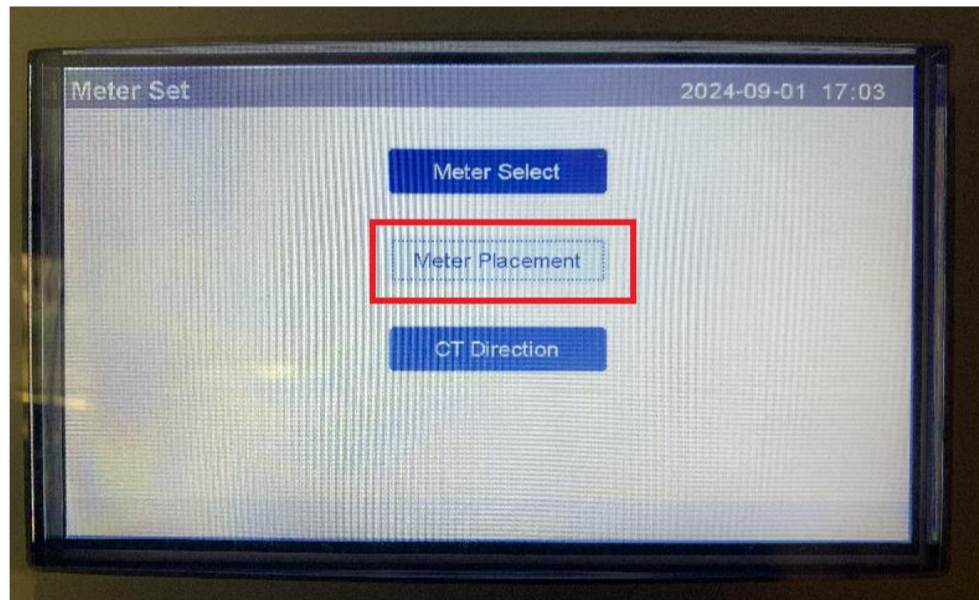
Configuration:

select meter type: Advanced Setting->Storage Energy Set->Meter Select->Eastron 1Ph Meter



select meter location

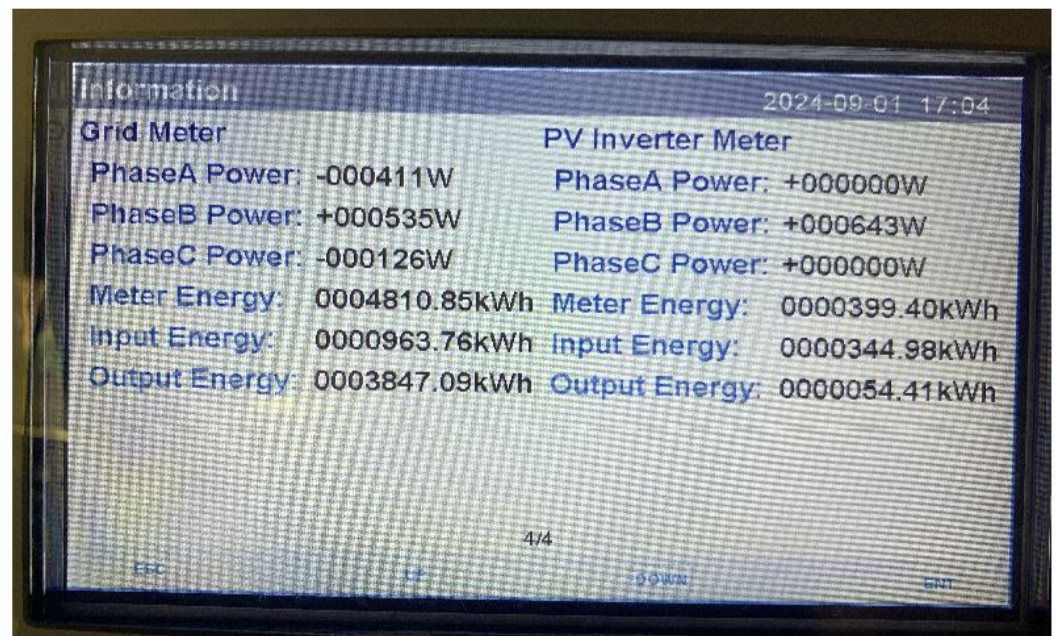
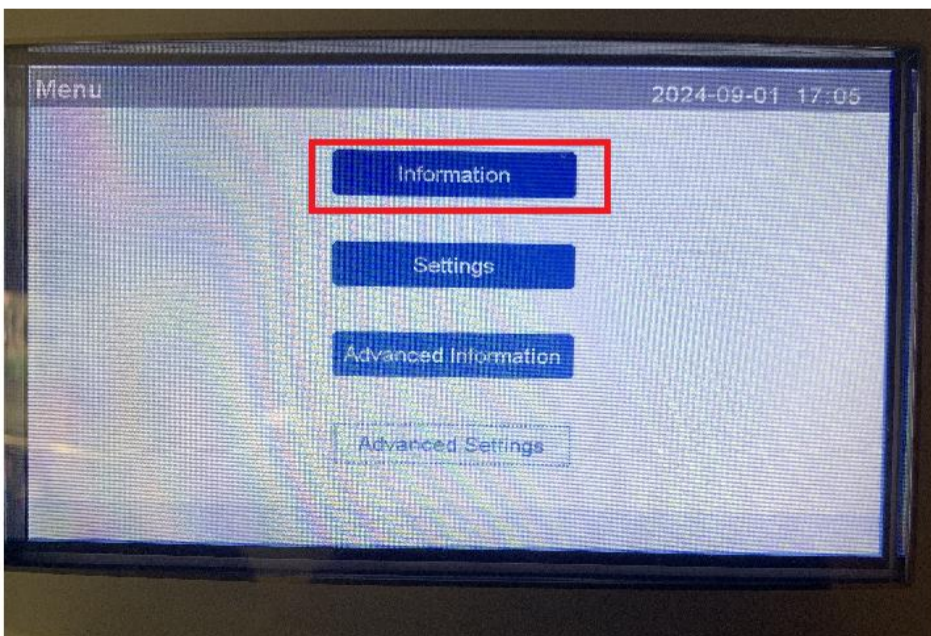
Meter Placement -> Grid + PV Inverter



Verify meter reading

Information->page 4

Make sure you can see Grid Meter and PV Inverter Meter



Firmware requirements, HMI firmware needs to be 3Exx to support meter location "Grid+PV" option.

Datalogger firmware needs to be updated to the latest to support 3rd party inverter production shown on the APP.

3rd party inverter production is not visible on the inverter screen